

# Minitrend® QX

## Specification

43-TV-03-10

X SERIES - ADVANCED GRAPHIC RECORDERS

December 2008



### Crystal Clear Display

- 5.5" Digital Colour LCD (TFT)
- QVGA Resolution (320 x 240 pixels)
- Clear and intuitive operation
- Industrial rugged Touch Screen with rapid navigation
- Custom Screens

### Comprehensive Connectivity

- 10/100 Ethernet (DHCP), Web, Email, OPC Server
- FTP, TCP/IP and RS485 Modbus Protocol
- Modbus Master and Slave (option)
- USB ports for keyboard and mouse

### Data Storage

- On-board non-volatile memory - up to 2GB
- Removable Compact Flash and USB storage
- No moving parts - all solid state Flash memory

### Security Stringent - Total Data integrity

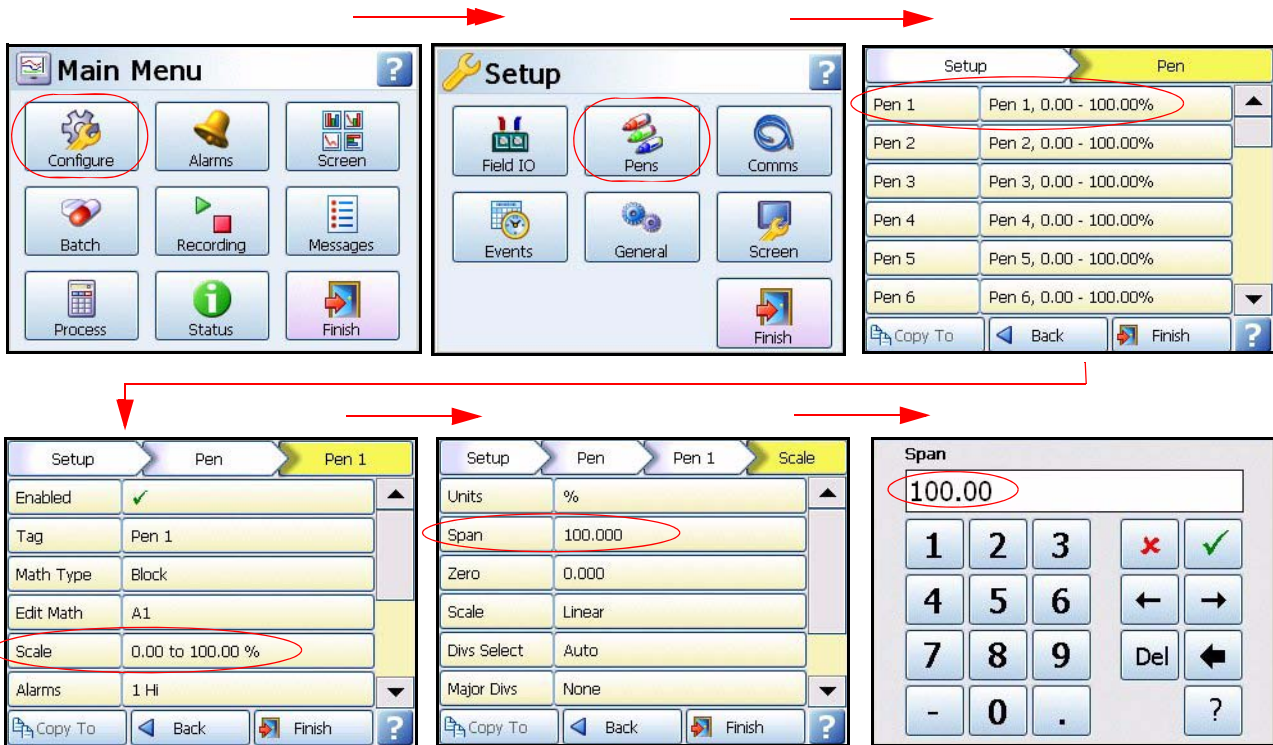
- Password Protection - 21CFR Part 11
- ESS - Extended Security System
- Password Network Synchronisation

### Plus..

- Health Watch for preventative maintenance
- Remote Access - Advanced Software Data Analysis at your PC and Remote Viewing
- Independent Chart and Logging speeds
- Global Language Support
- Rapid review and replay of data at recorder
- Approvals - CE, CSA, UL, FM & NEMA 4X / IP66 option
- Up to 50Hz (20 msec) Logging
- Up to 16 Analogue Inputs
- Reports - System generated
- Concurrent Batch mode
- AMS2750 Process Capabilities

# Recorder Function

- Honeywell's Minitrend QX recorder provides flexible electronic data acquisition and recording in a high functionality DIN standard 144mm format recorder.
- Up to 16 Analogue inputs with at least 70MB standard of available on-board memory plus additional removable storage media.
- The Minitrend QX uses a digital colour TFT LCD screen to provide easy to read displays with wide viewing angles for the best all around data viewing.
- The touch screen operator interface provides fast, easy access to the recorder menus making set up and data analysis quick and efficient. Navigation through the menus and text entry are direct and intuitive.



Example of a recorder menu path from the Main Menu to Pen Scale configuration with clear rapid navigation

## Features

### Display

- **5.5" Colour Active TFT** - with more than 256,000 colours makes it easy to interpret process data and take action with the intuitive bar charts, digital values, trends or customised displays. A screen saver function can be set from 1 to 720 minutes to extend the life of the backlight.
- **Touch Screen** - the heavy duty durable touch screen provides easy data entry and rapid navigation though the menus.
- **Help Files** - A complete contextual help system can be accessed and visualised on the screen of the recorder.

### Communications

- **Ethernet Connectivity** - the Ethernet (DHCP standard) connection, with support for various protocols, provides unlimited connectivity to local area networks (LANs). The standard Ethernet interface makes networking of the recorder to a LAN or the world wide web fast and convenient. Dynamic Host Configuration Protocol (DHCP) automatically acquires the settings (IP address) for network communications from a DHCP server.
- **RS485 Modbus** - the RS485 connection allows process data to be transferred to other devices, or to record data received in MODBUS RTU protocol (slave mode only).
- **Simple Network Time Protocol (SNTP)** - The recorder can be synchronised over the ethernet network via a SNTP client or synchronise other recorders via a Server.
- **Web Server** - with the recorder connected to a LAN, all process variables, alarm and messages can be viewed from an internet browser; values are automatically refreshed.

## Data Storage

**Internal Data Storage** - 70MB to 1850MB of expandable internal non-volatile flash memory is available for data storage and chart history.

Internal memory / Logging rate = 1 sec					
Pens	70MB	180MB	400MB	890MB	1850MB
8	24days	61d	137d	301d	622d
16	12d	30.5d	68.5d	150d	311d
32	6d	15d	34d	75d	155d

**Data Export** - Removable compact flash and USB flash storage device provides multiple data storage alternatives. Data is stored in a secure binary encrypted format, with the recorder's configurations, providing added security of the data files.

Removable Compact flash and USB flash storage devices



## External USB Devices

- The recorder has two USB host ports, one front and one at the rear, for attaching external USB devices such as a keyboard, mouse or a USB data storage key. The keyboard and mouse can be used to navigate the recorder's screen along with text entry.

## Remote Viewer

- Extends the user interface of the recorder onto the desktop PC. Providing remote viewing of the unit launched from a web browser. Full remote control is available as an option. Compatible with Microsoft™ Internet explorer 6 and higher.

## Security

- Total Data Integrity** - data is stored in secure encrypted files making it easy to retrieve the data dependent on process information. Data is automatically recognised without having to remember file names.
- Password Protection** - Up to 4 levels of password protection with up to 50 different users are available. Multiple levels of password protection and an audit trail of actions enhance the security of the data.
- Extended Security System (option)** - ESS provides extended features including entry of unique User ID's and associated passwords, time-out of password entry, password expiration, and traceability of user actions. ESS is compatible with the requirements of 21CFR part 11.
- Password Network Synchronisation** - Password can be synchronised over the network, a recorder can be designated as a master of a password group and other recorders can be added to that group as slaves, the master will ensure all passwords are synchronised with all recorders in it's group

## Modbus Master/Slave

- The recorder can communicate with up to 32 slave devices on both RS485 and/or Ethernet at a maximum poll rate of 1 second (slowest 1 hour), with each slave up to 8 "transactions" can be performed where a transaction can be retrieving 1 or more registers from a slave or sending one or more Pens to a slave.

## Reports

- Reports can be generated manually or on a periodical basis using event system to show daily/weekly/monthly totals, max mins, averages etc., the reports can be printed direct from the recorder, e-mailed as attachments or exported to external media. The reports will be in RTF format for use in MS Word or other compatible word processors

## Events/Counters

- Certain conditions or operations can be set up and logged according to the time and date of the occurrence. Subsequently events can be reviewed in a list or represented on a graph. Up to 16 User Counters are available and can be used as a part of the Events system. User Counters can be set up as a Cause or an Effect of an Event. Preset Markers can be configured and used when applying a Mark to the chart through the event system, the alert system or manually.

## Concurrent Batch Mode (option)

- Batch enhances the management of data collected in non-continuous process, known as batch processing, used in thermal treatment, sterilisation, food processing and chemical reactions. In concurrent batch mode each batch is associated with a group of pens, so all pens within Group 1 will belong to the batch that is controlled by Group 1. Batch features include Pause chart when batch stopped, Batch Logging control, List driven data fields, Automated batch counters, Event driven batch control, Updated control and feedback, Batch mode State and Count in scripts/embedded variables.

## AMS2750 Process Mode (option)

Provides on-line monitoring in the process recorder to alert the user to potential AMS2750D non-compliance issues. Monitors and alerts the user concerning - days until next SAT, days until next TUS, days until next control T/C change out and days until the recorder requires calibration. The recorder also provides an overview of T/C usage for all survey T/C's providing a colour coded for early warning screen (5 day expiration).

## Standard features ..

- **CE Mark** - Conformity with 73/23/EEC, Low Voltage Directive and 89/336/EEC EMC Directive.
- **Common Relay Output** - A separate relay alarm output at the rear of the unit can be set up as an alarm output.
- **Communications** - the recorder supports FTP, Modbus TCP/IP (slave mode), Web and Email over Ethernet (DHCP standard) communications port and Modbus RTU (slave mode) via an RS485 port. USB ports allow the use of an ASCII barcode reader. Email sent to your network connected PC triggered by an Alarm or an Event.
- **Language Support** - standard language prompts for English UK & US, French, German, Italian, Spanish, Brazilian, Polish, Hungarian, Slovakian, Czech, Turkish, Romanian, Russian, Portuguese, Greek and Bulgarian.
- **Logarithmic Scales** - all displayed scales can be set as linear or logarithmic.
- **Enclosure rating** - standard NEMA 3 / IP54 type front face protection. NEMA 4X / IP66 available as an option.
- **Pulse Inputs** - The 8 Digital I/O option card has 4 channels that can be set as pulse inputs (first 4 channels). The operating frequency for pulse inputs on the Digital I/O card is 1kHz max.
- **Fuzzy Logging** - this standard feature provides a unique method to increase the storage capacity of the recorder. The data is monitored to determine changes in process data; if no changes are observed data is logged periodically. If data is changing rapidly, it is recorded normally at the programmed rate. By not logging data that is static, data compression of up to 100:1 or more can be achieved saving valuable memory.
- **Rate up and rate down alarms** - Users can configure a rate of change in engineering units to be checked over a time period in seconds from 1 to 3600 (1 hour).
- **Independent Display Chart Speeds and Logging rates** - logging rates can be programmed completely separate from the chart display speed, allowing the data to be displayed and stored at the rates that best suits the application.
- **Soft Alarms** - 6 "software" alarms per pen are easily set up to display and record selected out-of-limit conditions. These can be tied to the relay or digital outputs to activate the user's external equipment.
- **Security tag** - "wire seal provision" that provides added security to seal the front door and rear wiring when using optional rear cover to prevent undetected entry to these areas of the recorder.
- **USB Ports** - Front and rear USB host ports for data and setup transfers or remote screen through these ports. Use these ports to attach external devices (keyboard or mouse) for direct interfacing with the recorder.
- **Replay with Zoom** - Select replay mode and zoom-in on a specific area on the screen. The data can easily be replayed at the recorder with the ability to "zoom". The touch screen makes it fast to review and analyse historical data. A "Jump" function allows you to go from any message list directly to the trend showing the occurrence of the alarm.
- **Dual Cursors in Replay** - Displays the time and date between two independently positioned cursors on a replay screen. Also provides digital readings and shows the max min between the cursors.
- **Alert System** - Error messages can be displayed for serious errors such as a connectivity problems or can be used as an early warning message system to notify the user on potential memory storage space availability.
- **Sound Effects** - Sound effects, Used as an event effect the user can pick from a list of 20 different sounds these can be configured to play a single time or repeat continuously until a corresponding "stop" event is triggered for that sound. The sounds themselves can be replaced on the recorder with custom sounds loaded by the user.
- **User Variables** - Provides the user with the ability to set values for up to 32 variables that can be used in the maths and scripts. Values can be altered to effect calculations without having to change the configuration. User variables are non-volatile.

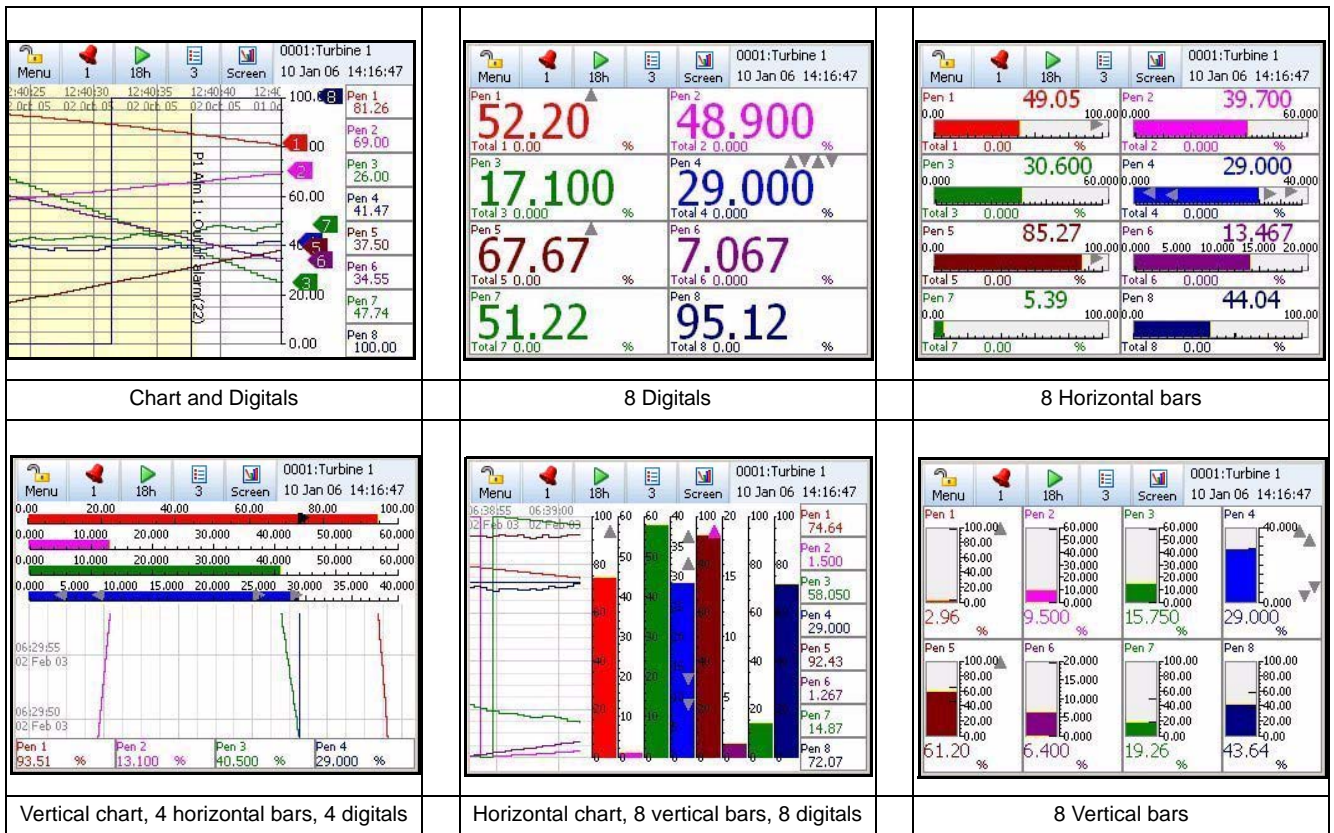


# Options - Hardware

- **Alarm Card** - 4 or 8 outputs relay contacts SPCO 240V, 8 Digital I/O or 16 Digital I/O - SPNO 24VDC. Programmable alarm set points can be configured to activate up to 16 outputs.
- **Analogue Output** - 2 or 4 outputs available per card. Output type: 0-20mA or 4-20mA.
- **Nema 4X / IP66** - Nema 4X / IP66 protection available as an option.
- **Portable Recorders** - Portable cases available as an accessory item.
- **Digital Input** - Two digital input options are available: 2 inputs on 8 channel Alarm card, 8 inputs on 8 Digital I/O card and 16 inputs on a 16 Digital I/O card. The digital inputs allow users to initiate, from a remote location via a dry contact closure, selected recorder functions.
- **Pulse Counting** - Up to four counting inputs per board, are available to count signals up to 25 kHz (max. 2 cards).
- **Approvals** - CSA, UL and FM CL1 Div 2 approvals.
- **24VAC/DC or 48VDC Power Supply** - 20 to 50VDC / 20 to 30VAC
- **24VDC Transmitter Power Supply** - can supply up to 200mA to external transmitters.
- **Print Support** - Network printing from status, message and replay screens. Plus screen capture facility of process screens instantly using a basic USB standard PCL printer.

# QX Standard Screens

Up to 12 screens displaying multiple combinations of Charts, Bars and Digitals can be configured, 6 examples below.



# Firmware Credit System

The credits system is a flexible way of adding to the recorder features without having to upgrade the firmware. Simply purchase a number of credits to cover your current and possible future requirements and the recorder will be delivered with the credits loaded.

Credits can be applied as desired to the Firmware functions until the total number of credits purchased has been used up. Additional credits can be purchased later if new features are to be activated and not enough credits are available to support these additional functions.

Firmware options are selected using the Model Selection Guide. Details of each firmware option are listed here.

Firmware option	Credit value	Description
<b>Full Maths</b>	4	Full (Block) Math - this can handle math expressions that can consist of expressions up to 100-characters in length. (Note 1)
<b>Full Maths with Scripting</b>	6	A powerful multi-line scripting ability available to solve complex state based applications. Eg.: "If .. X happens, then Y will happen, else .. Z will occur. (Note 1)
<b>Fast Scanning mode</b>	5	For fast processes, the scan rate and recording of the data can be set for up to 50 times per second (20ms) for up to 8 inputs.
<b>Totalisers/ Sterilisation calculation</b>	4	Each pen can be associated with a totaliser. Using extra pens, the totalised values can be displayed and recorded; multiple totals can be calculated out of the same variable (weekly, monthly, etc.). The totaliser function can handle Fo and Po sterilisation calculation. (Note 1 & 4)
<b>Custom Screens</b>	4	Import custom built screens that have been created in X Series Screen Designer. (Note 2)
<b>Reports</b>	3	Generate reports manually or using the event system to show daily/weekly/monthly Totals, Max/ Mins, Averages, Current Value. Messages, Message Lists - Alarm, System, Diagnostic, Security & User, Counters, Digital Inputs, and Digital Outputs. Reports can be printed, e-mailed as an attachment or exported to external media in RTF format. Also batch report format to support batch operation.
<b>Events</b>	6	<p>Events are certain conditions or operations that can be set up and logged according to the time and date of an occurrence. Subsequently events can be reviewed or displayed on a graph.</p> <p>The Event Causes include:</p> <ul style="list-style-type: none"> <li><b>Alarms</b> - Into/Out of and Alarm Ack</li> <li><b>Totals</b> - Start/Stop/Reset/Reset and Start</li> <li><b>Digital Input</b> - ON/OFF/State Change</li> <li><b>T/C Burnout</b></li> <li><b>Scheduled</b> - Once/Interval/Specific Days/ Month End</li> <li><b>User Counters</b></li> <li><b>Max/Mins</b> - Reset</li> <li><b>System</b> - Power ON/Setup Change/ Internal Memory Low/Export Memory Low/ FTP Memory Low</li> <li><b>User Action</b> - Mark Chart,</li> <li><b>Batch</b> - Start/Stop/Pause.</li> <li><b>TUS</b> - Start/Stop</li> <li><b>AMS2750 Timer</b> -TC Timers/Process Timers</li> </ul> <p>The Event Effects include:</p> <ul style="list-style-type: none"> <li><b>Mark Chart</b> - User Defined/Preset</li> <li><b>Logging</b> - Start/Stop</li> <li><b>Totaliser</b> - Start/Stop/Reset/Reset &amp; Start,</li> <li><b>Digital Output</b> - ON/OFF</li> <li><b>Alarm Acknowledge</b></li> <li><b>Emails, Screen Change, Print Screen, Counters</b> - Reset/Increment</li> <li><b>Max/Min</b> (Reset)</li> <li><b>Chart Control</b>- Pause/Stop/Resume/Clear/Prefil</li> <li><b>Clear All Messages, Delayed Event</b></li> <li><b>Script Timers</b> - Start/Stop/Reset/Reset &amp; Start</li> <li><b>Play Sound</b> - Start/Stop</li> <li><b>Display Alert, Reports</b></li> <li><b>Batch</b> - Start/Stop/Pause</li> <li><b>Update Tabular Readings</b></li> </ul> <p>Each event marker can be recorded for analysis using the Trend Manager Pro Software Suite. (Note 2)</p>
<b>Custom Screens</b>	4	Import custom built screens that have been created in X Series Screen Designer. (Note 2)
<b>Health Watch/ Maintenance</b>	2	The recorder keeps track of important "life actions" for improved diagnostics and preventative maintenance notification. Including Powered On, Last powered On, Time On since power up, Total On time, Total Off time, Longest Off time, Lithium cell life, Backlight life left at 100% brightness, Compact Flash insertions, Hi/Lo CJC value (Hi & Lo temps), Analogue In last factory/user cal, Relay operations.
<b>Print Support</b>	2	Network printing from status, message and replay screens. Plus screen capture facility of process screens instantly using a basic USB standard PCL printer.
<b>Batch/Groups</b>	5	The Batch function allows the user to segment portions of data for further analysis. The Batch function manages sections of data. Concurrent batches are now associated with a group of pens. The pens with in each group will belong to the batch that is controlled by that group. Batches can be controlled through the event system and batch markers are setup by the user and are used to identify and analyse batches of data. Supports up to 6 concurrent batches.

Firmware option	Credit value	Description
<b>Counters</b>	<b>3</b>	User Counters can be set up and used as a part of the Events system to count an occurrence. Other counters are available depending on hardware availability. Eg. Alarm, Event, Digital Input, Relay Output and Pulse counters.
<b>Modbus Master</b>	<b>10</b>	Modbus master enables the recorder to communicate with up to 32 Slave devices on both Ethernet and RS485. The recorder itself can also act as a slave device while also being a master. Modbus master can also be used in conjunction with OPC to enable the recorder to act as a communication bridge.
<b>Remote Viewer</b>	<b>3</b>	Extends the user interface of the recorder onto the desktop PC. Providing full remote control of the unit launched from a web browser.
<b>Email</b>	<b>3</b>	Setup email accounts to send the following: When an Alarm is triggered or an Email can be sent as a part of an Event occurring, such as: Alarms - In/Out/Ack , Totaliser – Start, Stop or Reset, Digital Inputs – On, Off or State change, TC Burnout – on a specific Analogue Input channel, Scheduled Events – Once, Interval, Specific days, Month End.
<b>OPC Server</b>	<b>8</b>	OPC (OLE for Process Control) - Software application for realtime interfacing between servers and clients. OPC is a software standard that defines common interfaces for data exchange between devices such as recorders, controllers, PLC's and Windows™ based applications
<b>Pwd Net Sync</b>	<b>5</b>	Password Network Synchronisation. Password can be synchronised over the network, a recorder can be designated as a master of a password group and other recorders can be added to that group as slaves, the master will ensure all passwords are synchronised with all recorders in its group. Maximum number of password slaves in one group is 31.
<b>AMS2750 Process</b>	<b>5</b>	AMS2750 Process activates the Process Mode screen and the AMS2750 process configuration menus for furnaces and sensors in accordance with AMS2750D specification, including Thermocouple tracking.
<b>Extra Pens</b>	<b>2</b>	4 extra pens to store and display totalised values, results of calculations, etc. Maximum is up to 16 extra pens for the QX recorder.

#### Notes

- (1) Additional pens ("Extra Pens") can be used to display and store the results of calculations, totalisers, variables imported via communications, or to store values.
- (2) Custom Screens must be built using X Series Screen Designer (.lay). Screens from V5 Screen Designer cannot be imported (.lyt).
- (3) Event markers are required to automatically reset the totalisers, for example on a periodic basis or on an external condition. (Not necessary if the totalisers are reset manually).
- (4) Specification table for Sterilisation: The definition of Fo/Po is the sterilisation/pasteurisation time in minutes required to destroy a stated number of organisms with a known z at temperature T. For example, "F18/250" represents the time in minutes required to destroy a stated number of organisms at a temperature of 250°F (121.11°C) with a z = 18 degrees F. F values are used to compare the sterilizing values of different processes, however, F values cannot be compared unless the z values are the same. When temperature is not specified (for example, F = 8.6) it is understood that the temperature is 250°F (121.11°C); the subscript O (as in the term Fo = 7.4) is used to indicate that the z = 18 degrees F and the temperature is 250°F (121.11°C).

# The TrendManager Pro Software Suite

The TrendManager Pro Software Suite complements the capabilities of the "X Series" recorders by providing the benefits of viewing, configuration, network communications, database management, data analysis and report generation using a personal computer. It ties the process together, providing for real-time communications with the recorders through a Local Area Network (LAN).

## TrendViewer

TrendViewer - is the standard software provided with the recorder that displays and prints data imported from the storage media used by the recorder.

## TrendManager Pro

TrendManager Pro is an advanced data analysis/archiving software package, providing full configuration of the recorders. TrendManager Pro is a stand-alone package that delivers to the user total recorder configuration, allowing the user to archive, graph, print and export data. TrendManager Pro also allows files to be exported using comma separated variables (CSV) format, that can be imported in most computer software.

## TrendServer Pro

TrendServer Pro is a fully network aware software package for real-time viewing and archiving of data with communications to the recorder. It supports all the capabilities of TrendManager Pro plus real-time data acquisition, FTP (File Transfer Protocol) and web browser access. TrendServer Pro provides secure multi-level, multi-user access to the recorder data by various departments with security. Standard features of TrendServer Pro include data archive tools, graphing, print import and export data facilities.

**TrendServer Pro with OPC Server** - provides the same functions as the TrendServer Pro but includes the added function of an integrated OPC Server to allow easy interfacing to third party HMI software packages that support an OPC Client. This provides a real-time interface between servers and clients.

**Modbus Profile Configuration Tool** - this is a tool that comes as part of the TrendServer Pro software that allows the user to set up Modbus Device Profiles for use by the Communications Server. It allows the user to set up other Modbus devices other than the **X Series** recorders to get real time data into TrendServer Pro.

## Communications Server

The Communication Server is supplied with **TrendServer Pro**. It manages real-time communications, distributed access to the stored data, time synchronisation over RS-485 and Ethernet networks. It is also available with a V3 compliant OPC Server to make it easier to interface third party HMI software packages that support an OPC Client. The Communication Server provides security for the transmission and storage of process data. A Comms option card and expansion card are required for the **eZtrend QXe** recorder.

## Database Management Tool

**Database Management Tool** - this software application works with TrendManger Pro and TrendServer Pro to provide safe administration of data with tools to archive, sort, move, copy and delete the data stored in local and remote databases.

The Database Management Tool software is supplied with TrendServer Pro.

## IQOQ Protocol Document (TrendServer Pro only.)

Custom built IQOQ reports can be generated based on the configuration of the recorder. The configuration can be validated as a process of confirming that a piece of equipment or process meets the stated requirements to produce a regulated product..

## Report Generation Tool - AMS2750D

PC software that uses a TUS data file generated by the Multitrend SX recorder to generate a temperature uniformity survey report. It produces a report that documents the uniformity performance of a furnace based on the AMS2750D specification. AMS2750D is the specification that covers pyrometric requirements for thermal processing equipment used for heat treatment.

## X Series Screen Designer

**X Series Screen Designer** - is a separate software package that enables the user to design unique display layouts for transfer to the recorder's screen. Screen layouts can be created using any combination of indicators such as Trending Charts, Digital Panel Meters (DPM) and Bar graphs. Flexibility allows each type of indicator to have elements of its appearance changed to create an individual presentation. The X Series Screen Designer software package is compatible with Minitrend QX and Multitrend SX recorders. Layouts can be transferred on to single or multiple recorders of the same type, which contributes to continuity and standardization of process data. For use with X Series recorders only.



Minimum System requirements for TrendViewer, TrendManager Pro and X Series Screen Designer:-	Minimum System requirements for TrendServer Pro:
1GHz Pentium processor or higher	1GHz Pentium processor or higher
CD-ROM drive	CD-ROM drive
Monitor screen resolution 1024 x 768 recommended minimum, high colour	Monitor screen resolution 1024 x 768 recommended minimum, high colour
Windows™ 2000, XP	Windows™ 2000, XP
512 Mbyte of RAM (min 512 Mbyte recommended)	512 Mbyte of RAM (min 512 Mbyte recommended)
16 bit colour graphics, 24 bit recommended (Screen Designer only)	TCP IP installed
50 Mbyte free hard disk space	2 Gbyte Hard-drive free disk space
A mouse	A mouse
Flash card reader or USB port	Flash card reader or USB port

Specification	Design Attributes
<b>Digital indicators and Display</b>	<p><i>Display size and Type:</i> 5.5" diagonal, Digital Colour LCD (TFT) with Touch Screen Industrial grade with brightness adjustment and wide viewing angle</p> <p><i>Resolution:</i> QVGA (320 x 240 pixels).</p> <p><i>Screen Saver:</i> Set in minutes from 1 to 720, can be set to dim the screen or to switch off.</p> <p><i>Brightness adjustment:</i> Adjustable between 10 and 100%, default set to 80% brightness.</p> <p><i>Backlight life time:</i> 55,000 hours to half brightness when used at 100% (86,000hr if used at 80%). Maximum luminosity 400 cd/m<sup>2</sup>.</p> <p><i>Touch Screen life:</i> 1,000,000 touches</p>
<b>Display Update Rate</b>	Display values updated every second
<b>Status Display</b>	A status bar, at the top of the recorder's screen, displays the real-time icons of the recorder status, such as Recording Time left and alarm active.
<b>Communications</b>	Ethernet 10/100 base - T with RJ45 connector supporting Modbus/TCP, FTP, Internet, DHCP or fixed IP address. RS485 Modbus RTU (up to 115200 Baud Rate).
<b>Mathematics</b>	Basic Maths include Add, Subtract, Multiply, Divide, Modulo and power. Full Maths and Scripting (option) support up to 100 character free form math expression for each pen. For example SINE, COS, TAN, Log, Parenthesis (eg. A1 + A2), comm variables, free memory, and access to any data item variable (A1, P1, D1 etc.).
<b>Front and Rear USB Ports</b>	USB host ports front and rear for data and setup transfers through these ports. External devices keyboard or mouse, Barcode reader, or external mass storage device. (USB 1.1 compliant)
<b>Standard Screens and Custom Screens</b>	<p>Fully programmable display values in engineering units. Time &amp; date stamp on every division. Sets of Standard screens are available to display data on a chart, digital reading, bargraphs or numerous combinations thereof. Screen properties can be modified on the recorder and customised to suit. Custom screens created in the Screen Designer software can be imported into the recorder for specialist applications. Custom Screen firmware option is required.</p> <p>Digital values displayed include alarms on bars, engineering units, pen name, tag, time and date, 20 character description and totalised values.</p>
<b>Power Requirements</b>	<p><i>Voltage (VRMS):</i> 100VAC to 250VAC (auto select). Frequency: 50/60Hz</p> <p><i>Power Consumption:</i> &lt;40W.</p> <p><i>Optional instrument power Voltage:</i> 20 to 55VDC/20 to 30VAC. Power Consumption: &lt; 40 watts</p>
<b>Battery</b>	Battery backed up for clock, Lithium battery Type 6032, 3.0V – 10 years life (Recorder powered), 4 years life, typical (Recorder unpowered).
<b>Temperature Units</b>	°C, °F, °K

<b>Specification</b>	<b>Design Attributes</b>
<b>Data Storage</b>	<p><i>Removable Media:</i> Compact Flash card, supports up to 4.0 Giga bytes.</p> <p><i>Local Mass Storage Options (Removable Media):</i> USB memory key - no size restrictions but must be formatted (FAT, FAT16, TFAT, FAT32). USB hard drive - up to 120Gb,</p> <p><i>Internal Data Buffer:</i> Non-volatile. 70MB (16 million acquisition values) upwards to 1850MB (up to 400 million points)</p> <p><i>Setup and screens:</i> Stored internally on non-volatile memory</p> <p><i>Manual Saving:</i> Data saving by inserting compact flash card or USB memory stick</p> <p><i>Data Saving Period:</i> Related to log rate, number of pens, totals and alarms. Each pen is capable of its own independent storage rate. (20 ms to 60 h).</p> <p><i>Data Format:</i> Honeywell binary encoded format</p> <p><i>Recycling Mode:</i> Internal memory has FIFO (First In First Out) capability where the newest data over-writes the oldest data.</p>
<b>Common Relay Output (SPNC)</b>	NC common alarm relay: Two contacts, normally open when the recorder is powered (no active alarms). Rating 24V, 1 Amp.
<b>Password Protection</b>	Multiple Administrator control of password setup and management with four levels of password protection for – Engineer, Supervisor, Technician, and Operator. Up to 50 different users are available. Password protection restricts user entry to the recorder set up and specific screens. Engineer – Highest access to all levels, Supervisor, Technician and Operator. Supervisor – 2nd highest level including Technician and Operator access Technician – 3rd level including Operator access Operator – 4th and lowest level of access.
<b>Languages</b>	English UK & US, French, German, Italian, Spanish, Brazilian, Polish, Hungarian, Slovakian, Czech, Turkish, Romanian, Russian, Portuguese, Greek and Bulgarian.
<b>Recorder Identification</b>	Status bar: Alternately displays Recorder ID and Recorder Screen Name. Displays Time and Date.
<b>Clock</b>	Accuracy: $\pm 29$ ppm ( $\pm 1$ minute/month) @ 25°C. Summer/Winter manual or automatic time adjustment or via communications. SNTP Client and/or Server included for synchronising over Ethernet.
<b>Alarm Set Points</b>	6 per pen integral “soft” alarm set points easily set by user to announce selected out of limit conditions; user can select if an alarm triggers a change in the screen background colour. Alarm triggers can be set for Hi, Lo, Deviation (latched or unlatched) for alarm acknowledgement. Alarm Damping – 1 sec to 24 Hours; Hysteresis - +/- 100% of pen scale Common relay output: 1A 24V, can be activated on any alarm.
<b>Data Replay Mode</b>	Data replay facility on chart displays at normal, fast or slow speeds with zoom and cursor.
<b>Display Chart Speeds</b>	Chart rates: 1 mm/hour, 5 mm/hour, 10 mm/hour, 20 mm/hour, 30 mm/hour, 60 mm/hour, 120 mm/hour, 600 mm/hour, 1200 mm/hour, 6000 mm/hour. Combinations of rates can be mixed and chart speeds can be set independently for each chart. Display speeds are independent of logging rate
<b>Messages Screen</b>	The message screen displays system information and records any setup activity that has been changed. It also provides warning and error message updates, lists alarm activity and will display user defined marks on a chart.
<b>CE Conformity (CE Mark)</b>	This product conforms with the protection requirements of the following European Council Directives: 73/23/EEC, the Low Voltage Directive, and 89/336/EEC, the EMC Directive. Conformity of this product with any other “CE Mark” Directive(s) shall not be assumed.
<b>Immunity Product Classification</b>	Complies with EN61326 Class I: Cord Connected, Panel Mounted Industrial Control Equipment with protective earthing (grounding). (EN 61010-1)
<b>Enclosure Rating</b>	Front panel designed to NEMA3 / IP54 (Optional NEMA 4X / IP66)
<b>Installation Requirements</b>	Category II: Overvoltage (EN 61010-1) Pollution Degree 2
<b>EMC Standards</b>	Emissions - EN61326 Class B Immunity - EN61326 Industrial Levels
<b>Safety</b>	Complies with EN61010-1: 2001. Panel Mounted Equipment, Terminals must be enclosed within the panel.

Specification	Analogue Inputs
Number of Inputs	4, 6, 8, 12 or 16 input channels
Input Types	mV, V, mA with external shunt (provided as standard), Thermocouple, RTD and ohms
Minimum Input Span	Range is fully configurable with span limitation of the operating range selected with 4% under range to 4% over-range capability (50V Range 2%)
Burnout (T/C)	Active (High or Low), Passive, and Health watch/Maintenance (option).
Cold Junction Compensation	Internal compensation with the ability to manually adjust values, External Input for compensation, External CJC value specified
Input Resolution	0.0015% (16 Bit ADC)
Input Impedance	Current loop resistance: 10 ohms, use $\pm 0.1\%$ external resistor. Volts $> 1M\Omega$ , all other $> 10M\Omega$
Source Impedance	T/C and RTD: 100 ohms per lead maximum. (A single point cal on Slot A will improve accuracy for a lead resistance above 10 ohms).
Square Root Extraction	Available as standard on every input type
Sensor Compensation	Single point and Dual point
Input Sampling Rate	Recorder has 2 available slots with up to 8 analog inputs each; the input sampling rate is dependent on actuation type. All Inputs: 100mS (10Hz), 200mS (5Hz), 500mS (2Hz) Fast Sampling: 20mS (50Hz) - mA, mV, Volts and Ohms only
Scales, Linear & Logarithmic	Normal and Scientific notation Decimal Point automatic or programmable Engineering units, user definable (10 characters) Logarithmic Decade limits: -38 min, to +38 max, (recommend up to 20 decades on one screen to ensure clarity)
Input Isolation	300VAC channel-to-channel, channel-to-ground
Noise Rejection (at 50/60Hz) $\pm 2\%$	Common mode: 2Hz = -120dB, 5Hz = -120dB, 10Hz = -120dB Normal Mode: 2Hz = -85dB, 5Hz = -80dB, 10Hz = -48dB

Specification	Logging
Logging Method	Sample, Average, Min/Max - can be set independently per pen
Logging Types	Continuous, Fuzzy
Logging Rate	From 20 msec. to 60 hours per pen
Fuzzy Logging	A secure data storage technique which delivers data compression ratio of 100:1 or more; self teaching, storing the data at a variable rate to match the process

Specification	Physical Parameters
Enclosure/Bezel	Zinc plated steel case with high impact resistant polycarbonate bezel; scratch resistant lens. NEMA 3 / IP54 protection rating standard. Optional NEMA 4X / IP66 (Front face only)
Mounting Panel	Unlimited mounting angle. For the best view of the display the viewing angle should not exceed 55° from the left or right, 40° looking down and 50° looking up at the recorder display. Mounting adjustable for panel thickness of 2mm to 20mm. Adapter kits available for covering existing panel cutouts.
Dimensions	W: 144mm (5.67"), H: 144mm (5.67"), D: 200mm (7.87"). Additional 80mm (3.15") clearance recommended for a straight type power cable and signal connectors. Cutout 138 x 138mm (5.43 x 5.43")
Weight	2.7 Kg (6lb) max.
Colour	Bezel: Black
Wiring Connections	IEC Power Plug. Removable terminal strip for input and alarm connections

## Input Range Performance and Accuracy

Input Actuation (Linear)	Range	Accuracy	Temp. Stability +/-	Input Impedance			
Millivolts DC	-5 to 5, -10 to 10, -25 to 25, -50 to 50, -100 to 100, -250 to 250, -500 to 500, -1000 to 1000	+/- 0.2% F.S. +/- 0.1% F.S. +/- 0.1% F.S. +/- 0.1% F.S.	0.01%/ °C 0.01%/ °C 0.01%/ °C 0.01%/ °C	>10M ohms >10M ohms >10M ohms >10M ohms			
Volts DC	-0.3 to 0.3, -0.6 to 0.6, -1.5 to 1.5, -3 to 3, -6 to 6, -12 to 12, -25 to 25, -50 to 50	+/- 0.1% F.S. +/- 0.1% F.S. +/- 0.1% F.S.	0.01%/ °C 0.01%/ °C 0.01%/ °C	>1M ohms >1M ohms >1M ohms			
Milliamps **	4 to 20, 0 to 20	+/- 0.2% F.S.	0.01%/ °C				
Ohms, 200	0 to 200	+/- 0.1% F.S.	0.01%/ °C				
Ohms, 500	0 to 500	+/- 0.1% F.S.	0.01%/ °C				
Ohms, 1000	0 to 1000	+/- 0.1% F.S.	0.01%/ °C				
Ohms, 4000	0 to 4000	+/- 0.1% F.S.	0.01%/ °C				
Input Actuation (T/Cs)	Range		Ref. Accuracy		Temp. Stability +/-	Field Cal Deg°F	Field Cal Deg °C
	°F	°C	+/- °F	+/- °C			
B*	500 to 1000	260 to 538	8.1	4.5	0.01%/ °C	8.1	4.5
	1000 to 3300	538 to 1816	4.0	2.2		2.0	1.11
E*	-454 to -328	-270 to -200	21.6	12	0.01%/ °C	21.6	12.00
	-328 to -94	-200 to -70	3.1	1.7		3.1	1.7
	-94 to 1832	-70 to 1000	1.3	0.7		0.8	0.44
J*	-346 to 32	-210 to 0	3.1	1.7	0.01%/ °C	0.8	0.44
	32 to 2192	0 to 1200	1.2	0.7		0.63	0.35
K*	-454 to -94	-270 to -70	36	20	0.01%/ °C	36	20.00
	-94 to 2502	-70 to 1372	1.8	1		0.9	0.5
R*	-58 to 500	-50 to 260	6.7	3.7	0.01%/ °C	6.7	3.7
	500 to 1202	260 to 650	2.7	1.5		1.0	0.56
	1202 to 3214	650 to 1768	2.0	1.1		1.0	0.56
S*	-58 to 500	-50 to 260	5.9	3.3	0.01%/ °C	5.9	3.3
	500 to 1832	260 to 1000	2.7	1.5		1.0	0.56
	1832 to 3110	1000 to 1710	2.0	1.1		1.0	0.56
	3110 to 3214	1710 to 1768	2.5	1.4		1.0	0.56
T*	-454 to -346	-270 to -210	9.7	5.4	0.01%/ °C	9.7	5.4
	-346 to 752	-210 to 400	1.8	1		0.9	0.5
L*	-328 to 32	-200 to 0	2.2	1.2	0.01%/ °C	1.0	0.56
	32 to 1652	0 to 900	1.3	0.7		0.7	0.39
G* (W_W26)	32 to 212	0 to 100	45	25	0.01%/ °C	45	25
	212 to 600	100 to 316	11.2	6.2		11.6	6.2
	600 to 1526	316 to 830	5.0	2.8		5.0	2.78
	1526 to 2759	830 to 1515	3.1	1.7		1.6	0.89
	2759 to 4199	1515 to 2315	5.0	2.8		5.0	2.78
C* (W5, W26)	32 to 356	0 to 180	4.5	2.5	0.01%/ °C	4.5	2.5
	356 to 2228	180 to 1220	3.6	2		1.8	1.0
	2228 to 4199	1220 to 2315	6.7	3.7		6.66	3.7
M* (NiMo-NiCo) (NNM90)	-58 to 698	-50 to 370	2.0	1.1	0.01%/ °C	1.0	0.56
	698 to 2570	370 to 1410	1.4	0.8		0.72	0.4
N* (Nicosil Nisil)	-328 to 212	-200 to 100	5.8	3.2	0.01%/ °C	5.8	3.2
	212 to 2372	100 to 1300	2.0	1.1		1.0	0.56
Chromel/Copel*	-58 to 1112	-50 to 600	1.1	0.6	0.01%/ °C	0.54	0.3
P* (Platinel)	32 to 2534	0 to 1390	2.5	1.4	0.01%/ °C	1.4	0.78
D*	32 to 356	0 to 180	6.3	3.5	0.01%/ °C	6.3	3.5
	356 to 3344	180 to 1840	4	2.2		4	2.2
	3344 to 4515	1840 to 2490	11.7	6.5		11.7	6.5

Input Actuation (Linear)	Range		Accuracy		Temp. Stability +/-	
PT100 $\alpha = 0.00385$	-328 to 1562	-200 to 850	1.1	0.6	0.01%/ °C	
PT200 $\alpha = 0.00385$	-328 to 1562	-200 to 850	1.1	0.6	0.01%/ °C	
PT500 $\alpha = 0.00385$	-328 to 1562	-200 to 850	1.1	0.6	0.01%/ °C	
PT1000 $\alpha = 0.00385$	-328 to 1562	-200 to 850	1.1	0.6	0.01%/ °C	
100 ohm Nickel	-76 to 356	-60 to 180	0.9	0.5	0.01%/ °C	
120 ohm Nickel	-112 to 500	-80 to 260	0.5	0.3	0.01%/ °C	
Cu10	-328 to 500	-200 to 260	5.5***	3***	0.01%/ °C	
Cu53	32 to 302	0 to 150	0.5	0.3	0.01%/ °C	

Reference Temperature: 22°C

Reference Sample Rate: 2Hz (500msec)

Reference Humidity: 65% RH +/-15%

Long term stability: 0.2%/year

\* Does not include reference junction calibration of  $\pm 1.0$  °C using the standard "ice bath" method of calibration. Factory accuracy can be improved by performing a field calibration. Also does not include any error on the sensor.

\*\* Tolerance for these input types includes that of the external shunt resistors (0.1% tolerance)

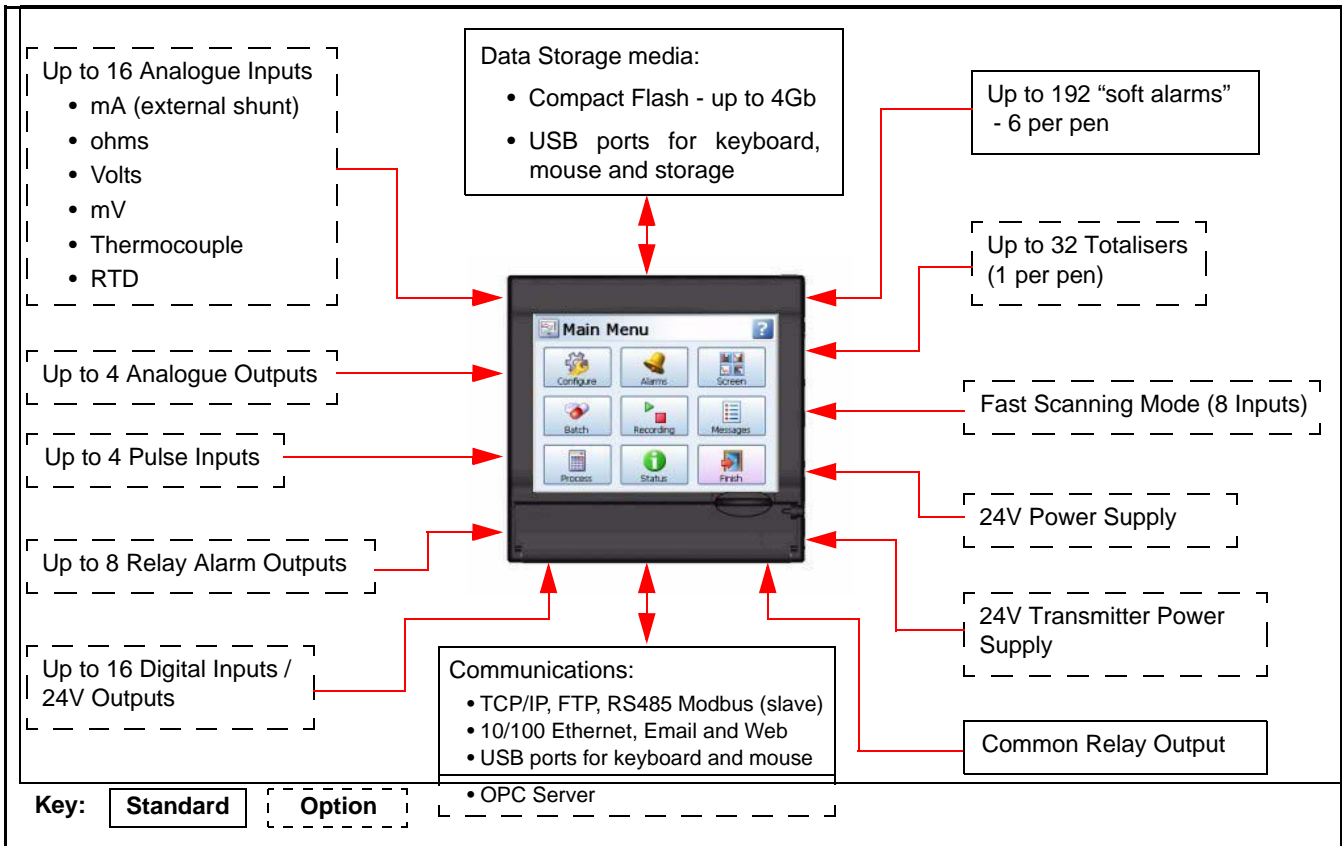
\*\*\* Reference Accuracy can be improved to +/- 0.4°C/0.7°F using the single point compensation calibration

Specification	Options
<b>Pulse Input (optional)</b>	4 isolated inputs per board, frequency – 1Hz to 25kHz, updated once per sec. Input: Low < 1V, High >4V to <50V or Volt free input: Low = short circuit, High = open circuit.
<b>Alarm Outputs (optional)</b>	Programmable alarm set points (6 per pen) can be configured to activate up to 16 outputs. Update rate: 200 ms for all alarms. Number/Type: <ul style="list-style-type: none"> <li>• 4 or 8 relay contacts SPDT, 3A 240VAC, 3A 24VAC/DC, 0.2A 240VDC (non-inductive, internally suppressed)</li> <li>• 8 I/O or 16 I/O - SPNO 1A 24VDC (non-inductive, internally suppressed)</li> </ul> Activation: Fully programmable internal alarm levels. Assignable to any relay output.
<b>Digital Input/Output</b>	8 I/O or 16 I/O: all channels may be selected freely as either digital inputs or outputs. The Digital I/O card also has 4 channels that can be set as pulse inputs (channels 1 to 4). The operating frequency for pulse inputs on the Digital I/O card is 1kHz max. 4 relay outputs: all four channels are relay outputs only. 8 relays/ 2 DI card: two outputs can be configured for use as digital inputs: A digital input is provided by a volt free contact between the normally open (NO), and the common (C), terminals of an output relay. If the 2 Digital inputs are used only 6 relay outputs are available. Closed <500 ohms, Open >300 kohms.
<b>Analogue Outputs (Re-transmission Outputs) (optional)</b>	2 or 4 re-transmission outputs available; a pen drives each output. Analog inputs, totalised values or any mathematical result can be re-transmitted. Update Rate: 250 msec all channels      Accuracy: $\pm 0.1\%$ 0-500 $\Omega$ load, +/-0.25% 500 $\Omega$ 1K $\Omega$ load Type: 0 to 20 / 4 to 20 mA      Maximum Load Resistance: 1000 Ohms Resolution: 0.002%      Isolation: 300VAC
<b>Transmitter Power (optional)</b>	200mA @ 24VDC $\pm$ 3VDC.
<b>Agency Approval (optional)</b>	CSA (Optional) CSA22.2-No.1010.1-2004 Certificate Number L211230. UL (Optional) ANSI/UL61010-1-2004 File # 201698. FM Class 1 Division 2 (optional)
<b>Vutronik Recorder Connection (optional)</b>	Optional rear cover with 50-pin connector for direct connection to the recorder. TDC2000/3000 system using Vutronik Trend Recorder, 24VDC instrument power only.
<b>Miscellaneous</b>	Optional customer ID Tagging (3 lines of up to 22 characters each line).
<b>Firmware credit options</b>	Maths (Basic, Full, Scripting), Events, Fast Scan, Totals, Custom Screens, Reports, Health Watch/Main-tenance, Printing, Batch, Counters, Modbus Master, Remote View, Email, OPC, Password Net Sync, AMS2750 Process, Extra Pens. <a href="#">See "Firmware Credit System" on page 6.</a>

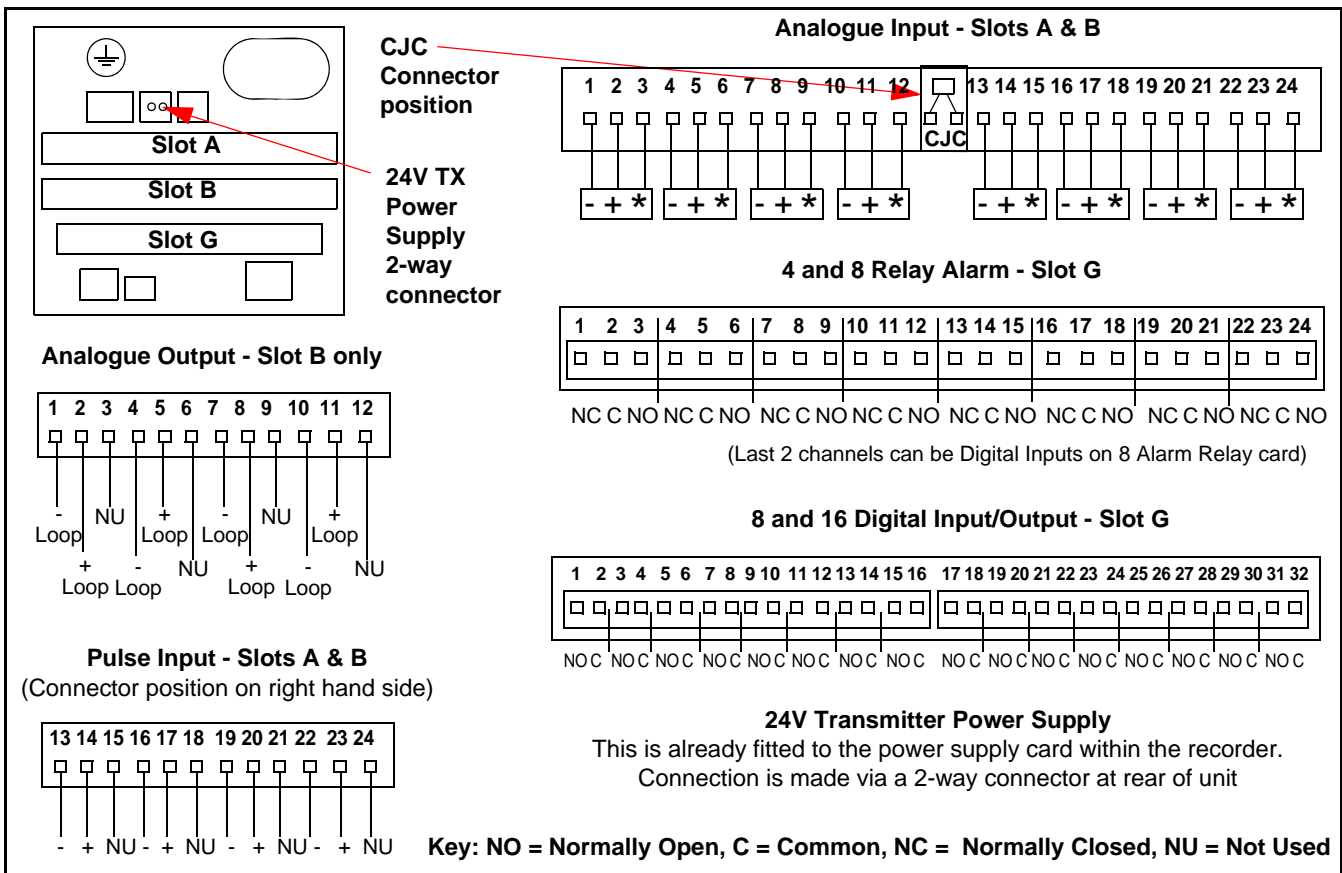
<b>Specification</b>	<b>Environmental and Operating Conditions</b>			
<b>Parameter</b>	<b>Reference</b>	<b>Rated</b>	<b>Extreme</b>	<b>Transport &amp; Storage</b>
<b>Ambient Temperature</b>	67 °F to 77 °F 19 °C to 25 °C	32 °F to 122 °F 0 °C to 50 °C	32 °F to 122 °F 0 °C to 50 °C	14 °F to 140 °F -10 °C to 60 °C
<b>Relative Humidity (%RH)</b>	50 to 65*	10 to 90*	5 to 90*	5 to 95*
<b>Vibration: Frequency (Hz)</b> <b>Acceleration (g)</b>	0 0	0 to 70 0.1	0 to 100 0.2	0 to 100 0.5
<b>Mechanical Shock</b> <b>Acceleration (g)</b> <b>Duration (ms)</b>	0 0	1 30	5 30	20 30
<b>Mounting Position from Vertical</b> <b>Tilted Forward</b> <b>Tilted Backward</b> <b>Tilted to Side (+/-)</b>	5° 5° 5°	40° 65° 65°	40° 65° 65°	Any Any Any
<b>Power Requirements</b> <b>Mains Voltage (Vrms)</b> <b>Low Voltage AC (Vrms)</b> <b>DC Voltages</b> <b>Frequency (Hz)</b>	220 to 240 24 +/- 2 24 +/- 2 49.8 to 50.2	100 to 250 20 to 30 20 to 55 47 to 63	90 to 264 20 to 30 20 to 55 47 to 63	N/A N/A N/A N/A
<b>Power Consumption</b>	AC: <40W (max), DC: <40W (max). Typical 20W			
<b>Warm Up</b>	30 minutes minimum			
<b>Seismic Qualification</b>	Complies with IEEE 323-1974 and/or 1983 and IEEE 344-1975 and/or 1987 (optional)			

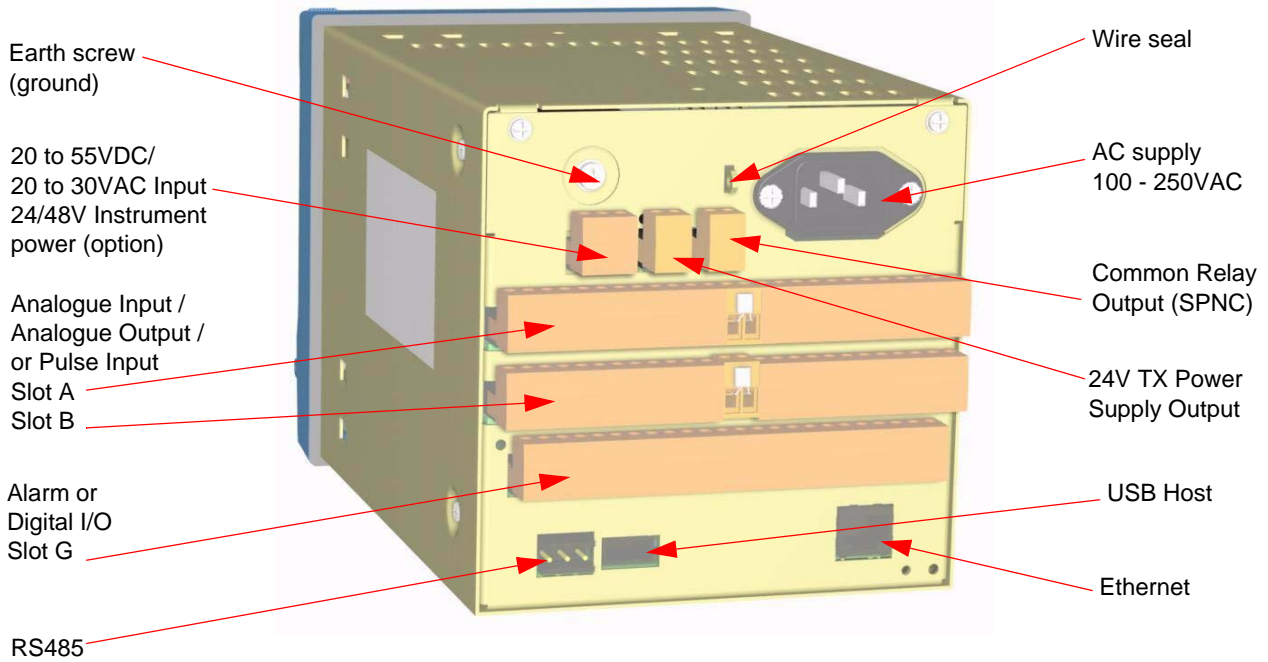
\* The maximum rating only applies up to 104°F (40°C). For higher temperatures, the RH spec is de-rated to maintain constant moisture content.





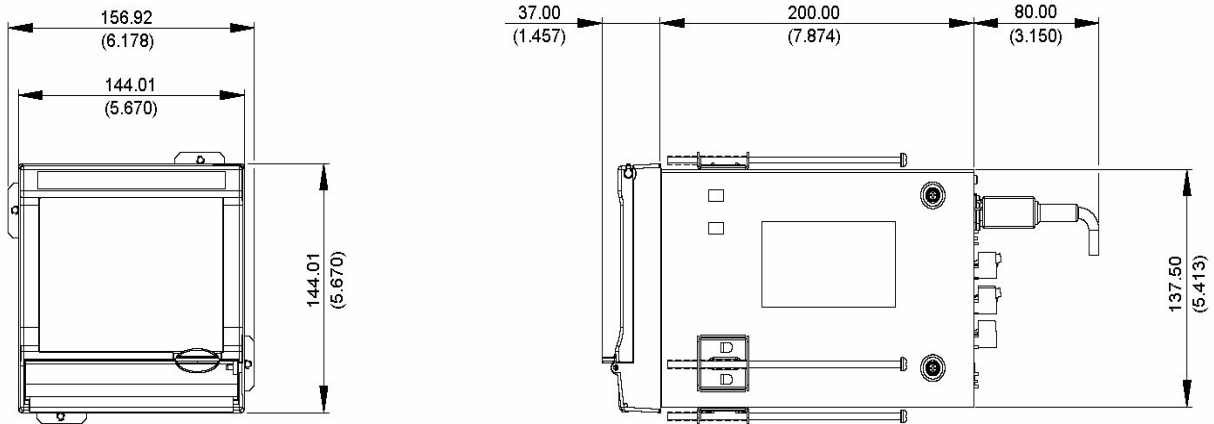
## Connections



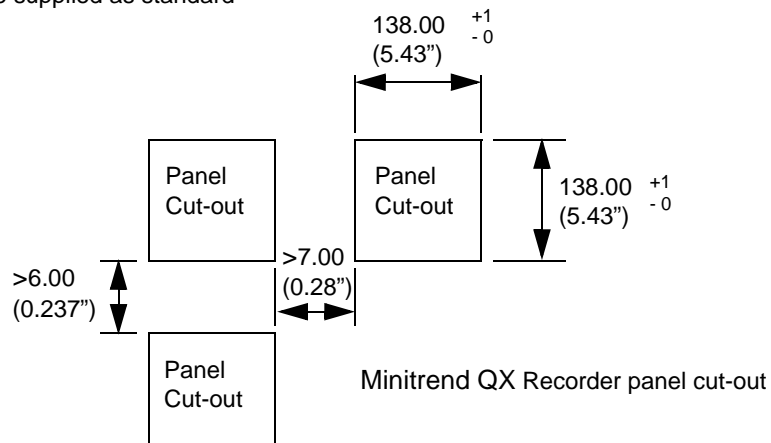


**100 - 250VAC Rear Panel AC power is connected via the standard configuration IEC chassis plug on the rear panel**

## Installation



Two mounting brackets are supplied as standard



**This page has been intentionally left blank**

## Sales and Service

For application assistance, current specifications, pricing, or name of the nearest Authorized Distributor, contact one of the offices below.

### ASIA PACIFIC

#### Control Products

Asia Pacific Headquarters  
Phone: +(65) 6355-2828  
Fax: +(65) 6445-3033

#### Asia Pasific Global Technical Support

##### Field Instruments

Phone: +65 6580 3156  
Fax: +65 6445-3033

##### Process Instruments

Phone: (603) 76950 4777  
Fax: (603) 7958 8922

#### Australia

Honeywell Limited  
Phone: +(61) 7-3846 1255  
FAX: +(61) 7-3840 6481  
Toll Free 1300-36-39-36  
Toll Free Fax:  
1300-36-04-70

#### China – PRC - Beijing

Honeywell China Inc.  
Phone: +(86-10) 8458-3280  
Fax: +(86-10) 8458-4650

#### China – PRC - Shanghai

Honeywell China Inc.  
Phone: (86-21) 5257-4568  
Fax: (86-21) 6237-2826

#### China – PRC - Chengdu

Honeywell China Inc.  
Phone: +(86-28) 8678-6348  
Fax: +(86-28) 8678-7061

#### China – PRC - Xi'an

Honeywell China Ltd - Xi'an.  
Phone: +(86-29) 8833-7490  
Fax: +(86-29) 8833-7489

#### China – PRC - Shenzhen

Honeywell China Inc.  
Phone: +(86) 755-2518-1226  
Fax: +(86) 755-2518-1221

#### Indonesia

PT Honeywell Indonesia  
Phone: +(62) 21-535-8833  
FAX: +(62) 21-5367 1008

#### India Automation India Ltd.

Honeywell Ltd.  
Phone: +(91) 5603-9400  
Fax: +(91) 5603-9600

#### Japan

Honeywell Inc.  
Phone: +(81) 3 6730 7150  
Fax: +(81) 3 6730 7228

#### Malaysia

Honeywell Engineering  
Sdn Bhd  
Phone: +(60-3) 7950-4776  
Fax: +(60-3) 7958-8922

#### New Zealand

Honeywell Limited  
Phone: +(64-9) 623-5052  
Fax: +(64-9) 623-5060  
Toll Free (0800) 202-088

#### Philippines

Honeywell Systems  
(Philippines) Inc.  
Phone: +(63-2) 633-2830-31/  
636 1661-62  
Fax: +(63-2) 638-4013

#### Singapore

Honeywell Pte Ltd.  
Phone: +(65) 6580 3278  
Fax: +(65) 6445-3033

#### South Korea

Honeywell Korea Co Ltd  
Phone: +(822) 799 6315  
Fax: +(822) 792 9015

#### Thailand

Honeywell Systems  
(Thailand) Ltd.  
Phone: +(662) 693-3099  
FAX: +(662) 693-3089

#### Taiwan R.O.C.

Honeywell Taiwan Ltd.  
Phone: +(886-2) 2245-1000  
FAX: +(886-2) 2245-3241

#### SE Asia Countries

see Honeywell Pte Ltd (Singapore) for:  
Pakistan  
Cambodia  
Guam  
Laos  
Myanmar  
Vietnam  
East Timor

#### SE Asia Countries

see Honeywell Automation  
India Ltd for:  
Bangladesh  
Nepal  
Sri Lanka

### EUROPE

#### Austria

Honeywell Austria GmbH  
Phone: +43 (316)400123  
FAX: +43 (316)40017

#### Belgium

Honeywell SA/NV  
Phone: +32 (0) 2 728 24 07  
FAX: +32 (0) 2 728 22 45

#### Bulgaria

Honeywell EOOD  
Phone: +(359) 2 40 20 900  
FAX: +(359) 2 40 20 990

#### Czech Republic

Honeywell spol. s.r.o.  
Phone: +420 242 442 232  
FAX: +420 242 442 131

#### Denmark

Honeywell A/S  
Phone: +(45) 39 55 55 55  
FAX: +(45) 39 55 55 58

#### Finland

Honeywell OY  
Phone: +358 (0) 20752 2753  
FAX: +358 (0) 20752 2751

#### France

Honeywell SA  
Phone: +33 (0)1 60198075  
FAX: +33 (0)1 60198201

#### Germany

Honeywell AG  
Phone: +49 (69)8064336  
FAX: +49 (69)806497336

#### Hungary

Honeywell Kft.  
Phone: +36-1-451 4300  
FAX: +36-1-451 4343

#### Italy

Honeywell S.p.A.  
Phone: +39 02 92146 307/  
395  
FAX: +39 0292146377

#### The Netherlands

Honeywell B.V.  
Phone: +31 (0) 20 5656200  
FAX: +31 (0) 20 5656210

#### Norway

Honeywell A/S  
Phone: (45) 39 55 55 55

#### Poland

Honeywell Sp. zo.o  
Phone: +48-22-6060900  
FAX: +48-22-6060901

#### Portugal

Honeywell Portugal Lda  
Phone: +351 21 424 5000  
FAX: +351 21 424 50 99

#### Romania

Honeywell Bucharest  
Phone: +40 (0) 21 2316437  
FAX: +40 (0) 21 2316439

#### Russian Federation (RF),

ZAO "Honeywell"  
Phone: +7 (095) 796 98 00  
FAX: +7 (495) 797 99 64

#### Slovak Republic

Honeywell s.r.o.  
Phone: +421-2-58247 410  
FAX: +421-2-58247 415

#### Spain

Honeywell S.A.  
Phone: +34 (0)91313 61 00  
FAX: +34 (0)91313 61 30

#### Sweden

Honeywell AB  
Phone: +(46) 8 775 55 00  
FAX: +(46) 8 775 56 00

#### Switzerland

Honeywell AG  
Phone: +41 18552448  
Fax: +(41) 1 855 24 45

#### Turkey

Honeywell Turkey A.S.  
Phone: +90 216 578 71 00  
FAX: +90 216 575 66 35

#### Ukraine

Honeywell  
Tel: +380-44-201 44 74  
Fax: +380-44-201-44-75

#### United Kingdom

Honeywell Control Systems  
Ltd.  
Phone: +44 (0)1344 655251  
FAX: +44 (0) 1344 655554

### MIDDLE EAST

#### Abu Dhabi U A E

Middle East Headquarters  
Honeywell Middle East Ltd.  
Phone: +971 2 4041246  
FAX: +971 2 4432536

#### Sultanate of Oman

Honeywell & Co Oman LLC  
Phone: +968 24 701153/  
Ext.33  
FAX +968 24 787351

#### Saudia Arabia

Honeywell Turki Arabia Ltd  
**Jubail Office**  
Phone: +966-3-341-0140  
Fax: +966-3-341-0216  
Honeywell - ATCO  
**Dammam Office**  
Phone: 0096638304584  
Fax: 0096638338059

#### Kuwait

Honeywell Kuwait KSC  
Phone: +965 242 1327 to 30  
Fax: +965 242 8315  
and  
Phone: +965 326 2934/1821  
Fax: +965 326 1714

### AFRICA

#### Mediterranean & African Distributors

Honeywell SpA  
Phone: +39 (02) 250 10 604  
FAX: +39 (02) 250 10 659

#### South Africa (Republic of) and sub saharan

Honeywell Southern Africa  
Honeywell S.A. Pty. Ltd.  
Phone: +27 11 6958000  
FAX +27 118051504

### NORTH AMERICA

#### Canada

Honeywell LTD  
Phone: 1-800-737-3360  
FAX: 1-800-565-4130

#### USA

Honeywell Process Solutions,  
Phone: 1-800-343-0228  
FAX: 1-717-771-8251  
Email: [sc-cp-apps-sales@honeywell.com](mailto:sc-cp-apps-sales@honeywell.com)

### LATIN AMERICA

#### Argentina

Honeywell S.A.I.C.  
Phone: +(54-11) 4383-3637  
FAX: +(54-11) 4325-6470

#### Brazil

Honeywell do Brasil & Cia  
Phone: +(55-11) 7266-1900  
FAX: +(55-11) 7266-1905

#### Chile

Honeywell Chile, S.A.  
Phone: +(56-2) 233-0688  
FAX: +(56-2) 231-6679

#### Mexico

Honeywell S.A. de C.V.  
Phone: +(52) 55 5259-1966  
FAX: +(52) 55 5570-2985

#### Puerto Rico

Honeywell Inc.  
Phone: +(809) 792-7075  
FAX: +(809) 792-0053

#### Trinidad

Honeywell Inc.  
Phone: +(868) 624-3964  
FAX: +(868) 624-3969

#### Venezuela

Honeywell CA  
Phone: +(58-2) 238-0211  
FAX: +(58-2) 238-3391

### Trademarks

Minitrend QXe is a registered trademark of Honeywell International Inc.

### Honeywell Process Solutions

Honeywell

2500 W.Union Hills Drive

Phoenix, Arizona 85027

[www.honeywell.com/ps](http://www.honeywell.com/ps)

43-TV-03-10

December 2008

© 2006 - 2008 Honeywell International Inc.

# Honeywell