

VersaFlow Mag 2000 FL Electromagnetic Flow Sensor Technical Datasheet

34-VF-03-21
September 2009

Specification

Solution with high-tech ceramics

The VersaFlow Mag 2000 FL electromagnetic flow sensor is the standard in accuracy. VersaFlow Mag 2000 FL is highly resistant against abrasion.

Figure 1 – VersaFlow Electromagnetic Flow Sensor

Highlights

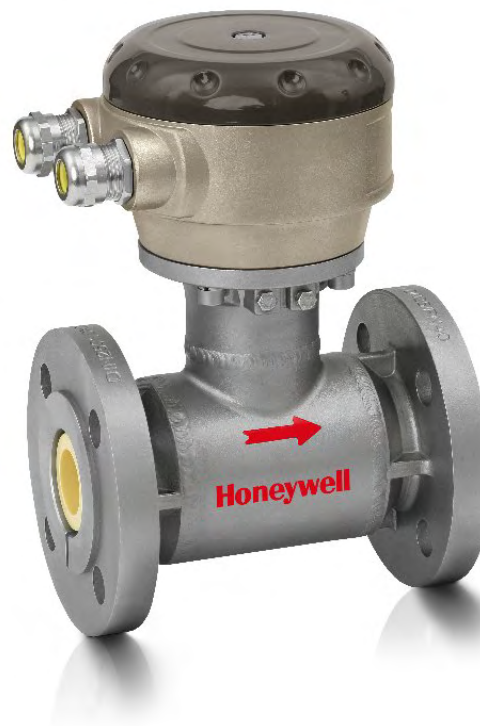
- Excellent long-term stability and accuracy
- For most aggressive and abrasive fluids
- Fully vacuum-resistant
- High-tech ceramics liner
- Insensitive against temperature shocks

Industries

- Chemicals
- Pulp & Paper
- Water
- Wastewater
- Minerals & Mining




Applications

- Dosing and batching
- Electrolyte measurement for battery filling
- Dosing control
- Chemical injection
- Wastewater treatment








Electromagnetic product range

VersaFlow converters: All converters fit to all sensors

		
Integral Mounted	Field Mounted	Wall Mounted

TWM 9000 High-performance solution

VersaFlow Sensors

				
VersaFlow Mag 100 Economical solution	VersaFlow Mag 1000 Economical solution	VersaFlow Mag 4000 Standard solution for the process industry	VersaFlow Mag 2000SW Solution with high-tech ceramics	VersaFlow Mag 3000 Sanitary and hygienic solution

Technical Data

Nominal diameter	MM52						MM53			
ASME [inch]	1/2"	1"	1 1/2"	2"	3"	4"	6"	8"	10"	
DN [mm]	15	25	40	50	80	100	150	200	250	

Nominal flange pressure

EN 1092-1 - PN40									
EN 1092-1 - PN16									
EN 1092-1 - PN10									
ASME B16.5 - 150lbs RF									
ASME B16.5 - 300lbs RF									

Measuring tube

Ceramic									
---------	--	--	--	--	--	--	--	--	--

Electrodes

Cermet									
Stainless steel 1,4571 (AISI 316 Ti)									
Platinum									
HC4									
Low noise (basis HC4, Ta, Ti)									

Rings / Gaskets

PTFE (integrated) / no gasket required									
Stainless steel 1,4404 (AISI 316L) Viton									
Hastelloy C4 / Viton									

Flanges

Stainless Steel AISI 316 (1.4408)									
Steel 37 – C22									

Materials

Flow sensor housing (PU coated)									
- stainless steel ASISI 316 (1.4408)									
- sheet steel									
Flow converter housing (compact design)									
- die cast aluminium (PU coated)									
- stainless steel AISI 304 (1.4306)									
Connection boxes (separate design)									
- die cast aluminium (PU coated)									
- stainless steel AISI 3040 (1.4306)									
Other materials on request									

Protection category

IP 66/67 eq. NEMA 4/4X / 6									
IP 68 field eq. NEMA 6P									
IP 68 factory eq. NEMA6P									
IP68 only available with stainless steel connection box									

Nominal diameter	MM52						MM53		
ASME [inch]	1/2"	1"	1 1/2"	2"	3"	4"	6"	8"	10"
DN [mm]	25	25	40	50	80	100	150	200	250

Approvals

Non-Ex									
EEx zone 1 / 2									
FM - class I div. 1 / 2									
CSA – GP / class I div. 1/2									
	Please note the approval are for flow sensors only								

Versions

Compact+ TWM 9000 C									
Separate+ TWM 9000 F, R, W									

Conductivity

≥ 1 μS/cm (non-water)									
≥ 5 μS/cm (non-water)									
≥ 20 μS/cm (demineralised cold water)									

standard
 optional
 on request

Dimensions and Weights

Nominal size		Dimensions [mm]					Approx. weight
DN	PN	L	H	W	T		[kg]
[mm]	[bar]				box	TWM9000	

DN2.5...100

15	40	150	127	95	205	282	3
25	40	150	143	115	221	298	4
40	40	150	168	150	246	323	6
50	40	200	184	165	262	339	9
80	40	200	217	200	295	372	15
100	16	250	248	235	326	403	21

DN150...250

150	16	265	355	283	426	-	37
200	10	315	396	342	467	-	53
250	10	365	458	395	529	-	87

Nominal size		Dimensions 150 lbs [inch]					Approx. weight
DN	PN	L	H	W	T		[lbs]
[mm]	[bar]				box	TWM9000	

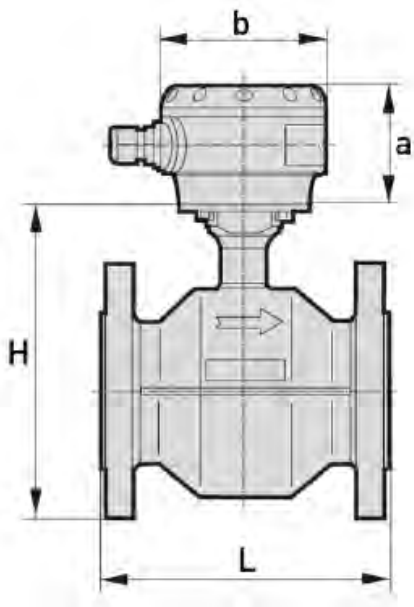
DN1/2" ...4"

1/2"	580	5.91	5.00	3.74	8.07	11.1	1.36
1"	580	5.91	5.63	4.53	8.7	11.73	1.81
1 1/2"	580	5.91	6.61	5.91	9.69	12.72	2.72
2"	580	7.87	7.24	6.5	10.31	13.35	4.08
3"	580	7.87	8.54	7.87	11.61	14.65	6.8
4"	232	9.84	9.76	9.25	12.83	15.87	9.52

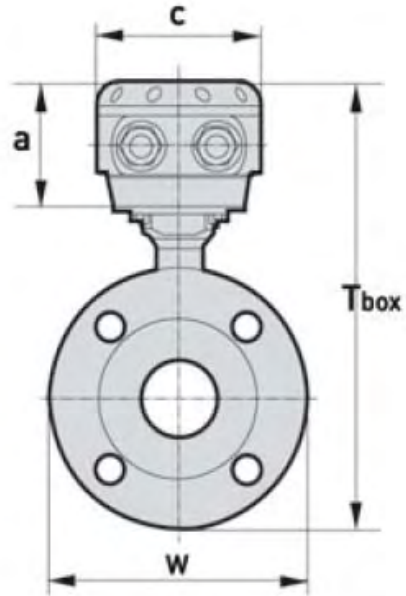
DN6" ...10"

6"	232	10.43	13.98	11.14	16.77	-	16.78
8"	145	12.4	15.59	13.46	18.39	-	24.03
10"	145	14.37	18.03	15.55	20.83	-	39.45
		DN6" ...10": Total fitting length: L + 2x 0.12" + 2x gasket thickness (flowmeter with separate rings)					

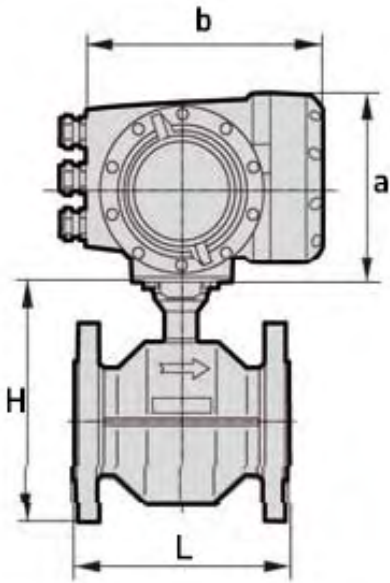
Frontview VersaFlow Mag 2000 F



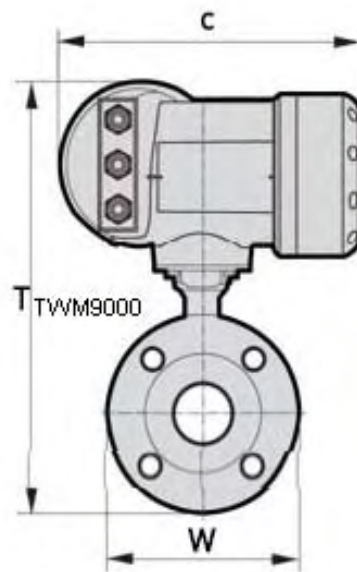
Sideview VersaFlow Mag 2000 F



Frontview VersaFlow Mag 2000 Compact



Sideview VersaFlow Mag 2000 Compact



Dimensions housing

Type	Dimension a		Dimension b		Dimension c	
	(mm)	(inch)	(mm)	(inch)	(mm)	(inch)
Connection box	77	3.1	111	4.4	106	4.2
Compact converter	155	6.1	202	7.8	260	10.2

Temperature range

Temperature range	Process (°C)		Ambient (°C)		Process (°F)		Ambient (°F)	
	Min.	Max.	Min.	Max.	Min.	Max.	Min.	Max.

DN2.5... 100

Separate flow sensor	-60	180	-40	65	-76	356	-40	149
Compact+TWM 9000	-60	140	-40	65	-76	284	-40	149

DN150... 250

Separate flow sensor	-60	120	-25	60	-76	248	-13	140
----------------------	-----	-----	-----	----	-----	-----	-----	-----

Temperature change	10 minutes (°C)		Sudden change (°C)		10 minutes (°F)		Sudden change (°F)	
	rising	falling	rising	falling	rising	falling	rising	falling
DN15... 100	150	100	120	80	302	212	248	176
DN150... 250	150	80	100	60	302	176	212	140

Ordering Information

Contact your nearest Honeywell sales office, or

In the U.S.:

Honeywell Process Solutions
Honeywell International Inc
2500 West Union Hills Drive
Phoenix, AZ 85027 1-800-343-0228

In Canada:

The Honeywell Centre
155 Gordon Baker Rd.
North York, Ontario M2H 3N7
1-800-461-0013

In Latin America:

Honeywell Inc.
480 Sawgrass Corporate Parkway,
Suite 200 Sunrise, FL 33325
(954) 845-2600

In Europe and Africa:

Honeywell S. A.
Avenue du Bourget 1
1140 Brussels, Belgium

In Eastern Europe:

Honeywell Praha,
s.r.o. Budejovicka 1
140 21 Prague 4,
Czech Republic

In the Middle East:

Honeywell Middle East Ltd.
Khalifa Street,
Sheikh Faisal Building
Abu Dhabi, U. A. E.

In Asia:

Honeywell Asia Pacific Inc.
Honeywell Building,
17 Changi Business Park Central 1
Singapore 486073
Republic of Singapore

In the Pacific:

Honeywell Pty Ltd.
5 Thomas Holt Drive
North Ryde NSW Australia 2113
(61 2) 9353 7000

In Japan:

Honeywell K.K.
14-6 Shibaura 1-chrome
Minato-ku, Tokyo, Japan 105-0023

Or, visit Honeywell on the World Wide Web at: <http://www.honeywell.com/ps>
Specifications are subject to change without notice.